



# Walk-In Coop

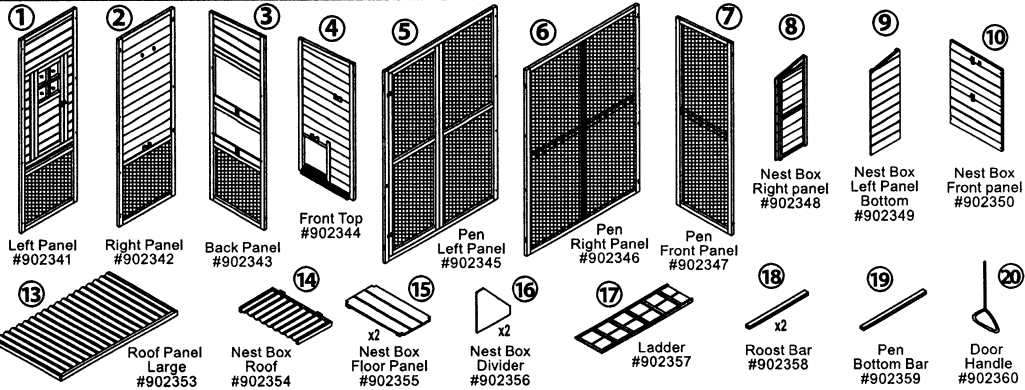
## Assembly Instructions

Item #14077

#30014077

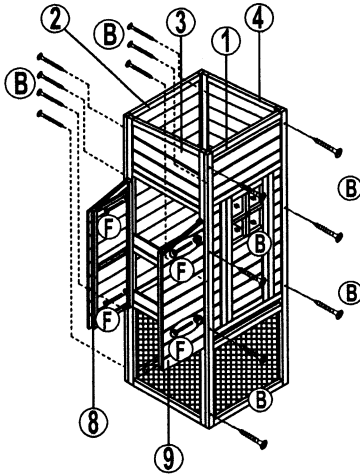
### HARDWARE #902361

- (A)  $\varnothing 3.5 \times 60$  8 PCS
- (B)  $\varnothing 3.5 \times 50$  22 PCS
- (C)  $\varnothing 3.5 \times 35$  8 PCS
- (D)  $\varnothing 3.0 \times 30$  1 PCS
- (E)  $\varnothing 3.0 \times 16$  12 PCS
- (F)  $M6 \times 55$  4 PCS



### Step 1

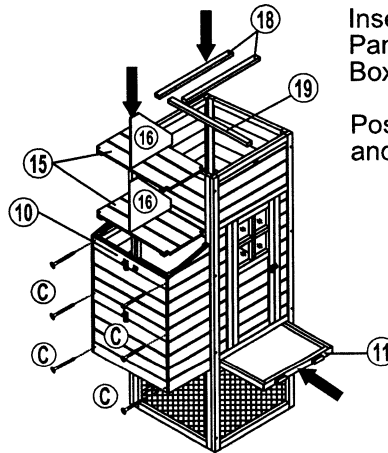
Attach Left, Right, Front, and Back Panels.



Attach Nest Box Right and Left panels to Back Panel.

### Step 2

Slide Pull Pan Under Left and Right Panels.



Insert Nest Box Floor Panel (x2) and then Nest Box Dividers.

Position Pen Bottom Bar and Roost Bars (x2).

- (B)  $\varnothing 3.5 \times 50$  x 14
- (F)  $M6 \times 55$  x 4

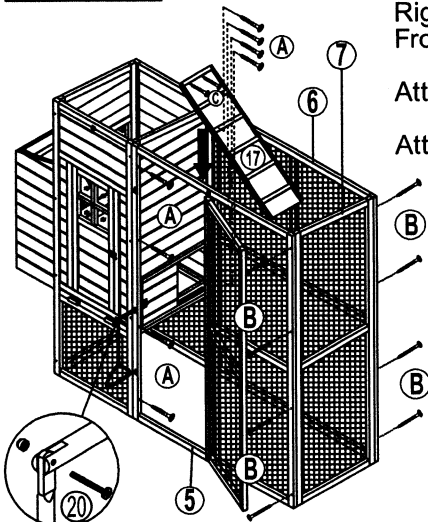
- (C)  $\varnothing 3.5 \times 35$  x 6

### Step 3

Attach Pen Left, Right, Back, and Front Panels.

Attach Ladder.

Attach Door Handle.

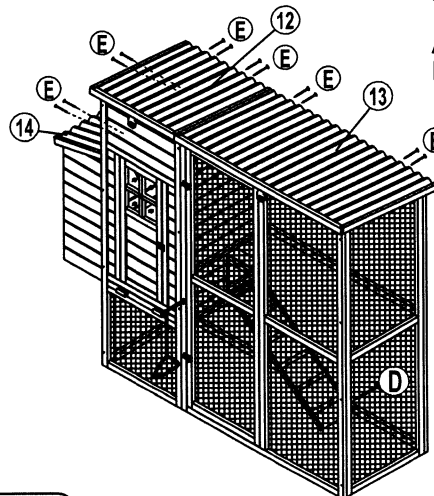


- (A)  $\varnothing 3.5 \times 60$  x 8
- (B)  $\varnothing 3.5 \times 50$  x 8
- (C)  $\varnothing 3.5 \times 35$  x 2

### Step 4

Attach Small and Large Roof Panels.

Attach Nest Box Roof Panel.



- (D)  $\varnothing 3.5 \times 30$  x 1
- (E)  $\varnothing 3.0 \times 16$  x 12

### Care Tip

To protect the wood on your pen you need to re-apply the protective stain finish at least 1x each year. Use a safe and non-toxic water based stain (available at your local paint or hardware center). Keep pen in a safe area away from high winds and extreme temperatures.

If you have any questions or concerns about this product contact our customer service department at 1-800-295-2243 Mon-Fri 8:00 – 4:00 MST or email us at [cs@waremfginc.com](mailto:cs@waremfginc.com)