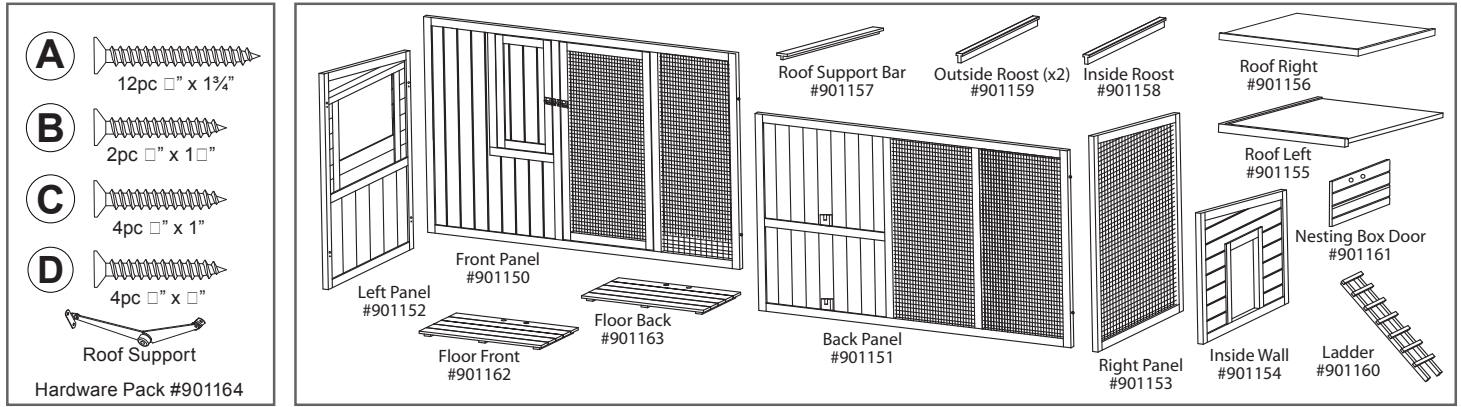


# Premium+ Chick-N-Cottage Assembly Instructions

Item #14060

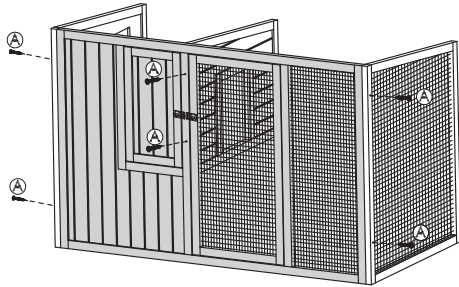
Tools Required: Standard Screwdriver



Congratulations on the purchase of your Ware Premium+ Chick-N-Cottage. The quality construction will provide your pet with a comfortable environment. Plus, assembly is quick and easy!

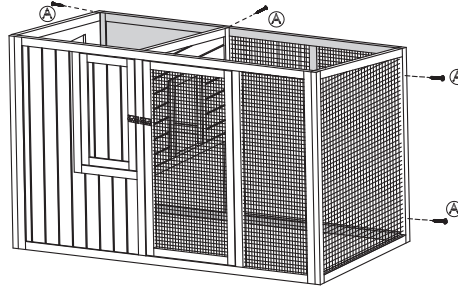
## STEP 1

Connect the Front Panel to the Wooden Left Panel and the Mesh Right Panel using 4 - 1/4" screws (A). Attach the Inside Wall to the center of the Front Panel with 2 - 1/4" screws (A).



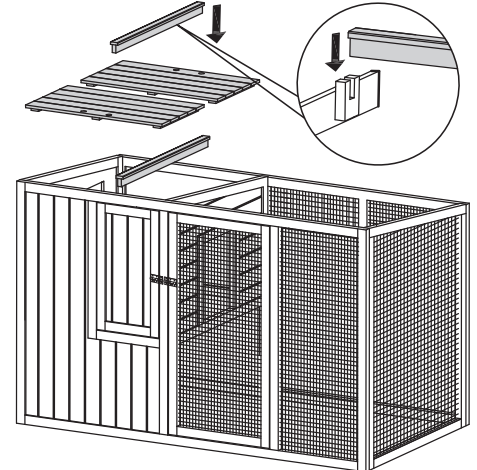
## STEP 2

Attach the Back Panel to assembled hutch using 6 - 1 3/4" screws (A).



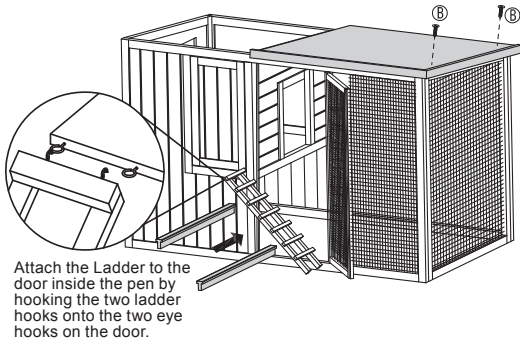
## STEP 3

Attach the Inside Roost above the floor in the hutch. Place the two floor panels in place inside. Insert Roof Support bar into the hutch.



## STEP 4

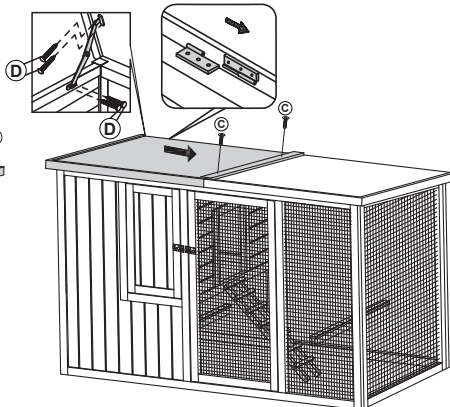
Attach the Roof Right piece onto the top of the pen using 2 - 1" screws (B). Attach the two Outdoor Roosts inside the pen.



Attach the Ladder to the door inside the pen by hooking the two ladder hooks onto the two eye hooks on the door.

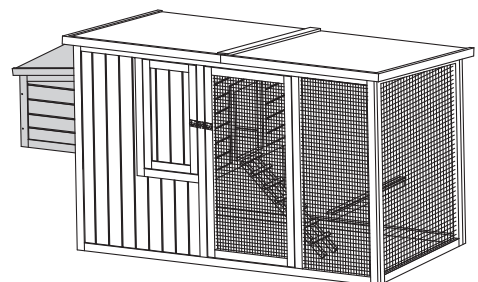
## STEP 5

Attach Roof Left piece by sliding the two hinge parts together as shown, then secure with 2 - 1" Screws (C). Attach the locking Roof Support using 4 - 1" screws (D).



## STEP 6

Your Chick-N-Cottage assembled!



**TIP:** The nesting box door can be removed to allow addition of the Ware Premium+ Universal Chicken Nesting Box (Item #01475).

## Care Tip

To protect the wood on your hutch you need to re-apply the protective stain finish at least 1x each year. Use a safe and non-toxic water based stain (available at your local paint or hardware center). Keep hutch in a safe area away from high winds and extreme temperatures.

Item #14060



If you have any questions or concerns,  
DO NOT RETURN TO STORE.  
Contact our customer service department at 1-800-295-2243  
and we will help you with any problems, Mon-Fri 8:00 - 4:00 MST  
or through our website at [www.waremfinc.com](http://www.waremfinc.com).

**Chicken  
WARE**  
#30014060