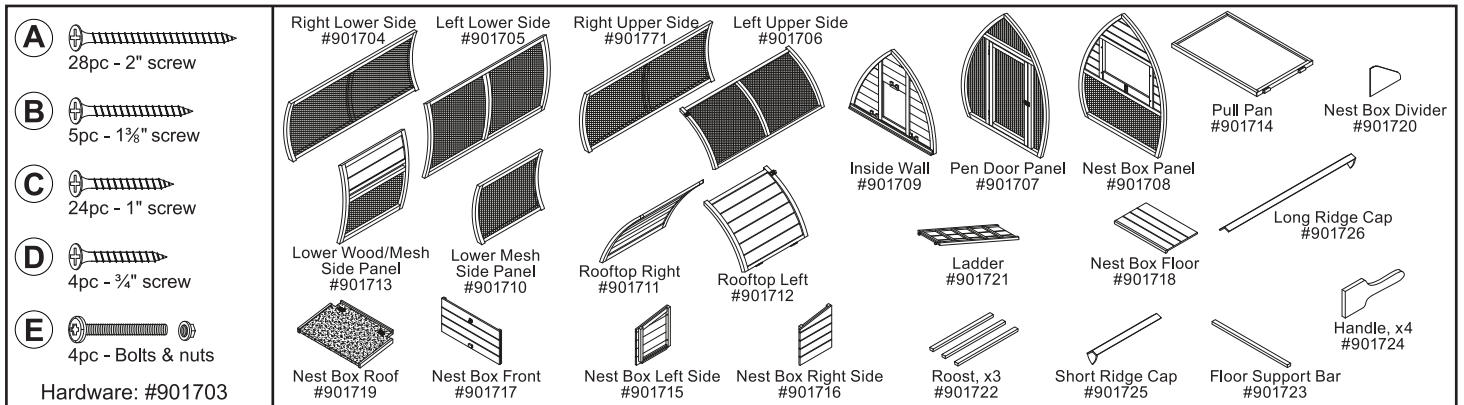


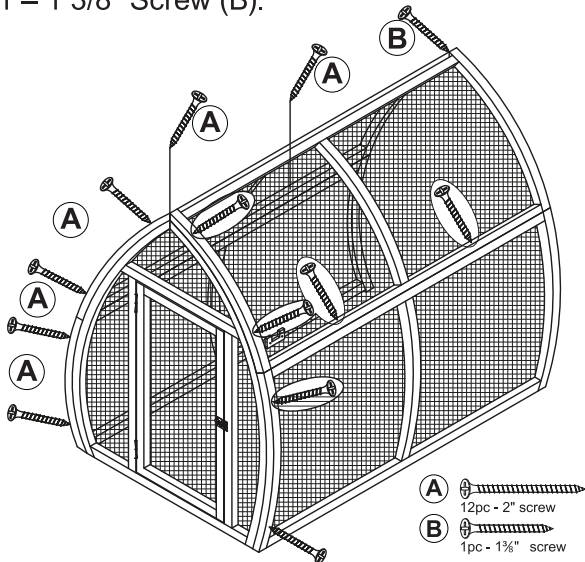
Item #14052

#30014052



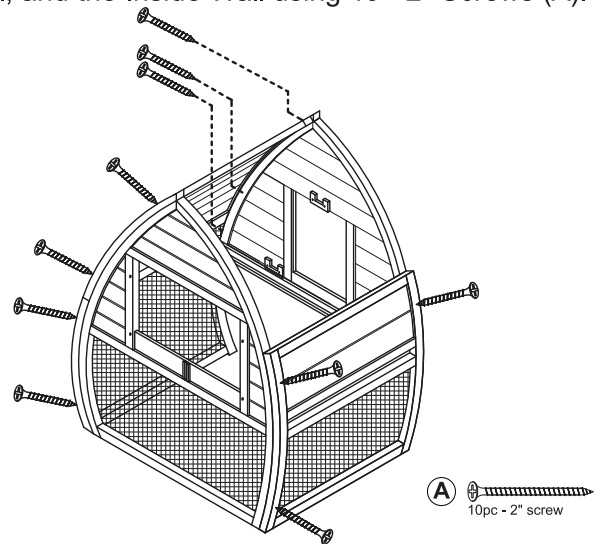
Step 1

Assemble the run portion by attaching the Pen Door Panel to the upper and lower mesh side panels, using 12 - 2" Screws (A). Secure top panels with 1 - 1 3/8" Screw (B).



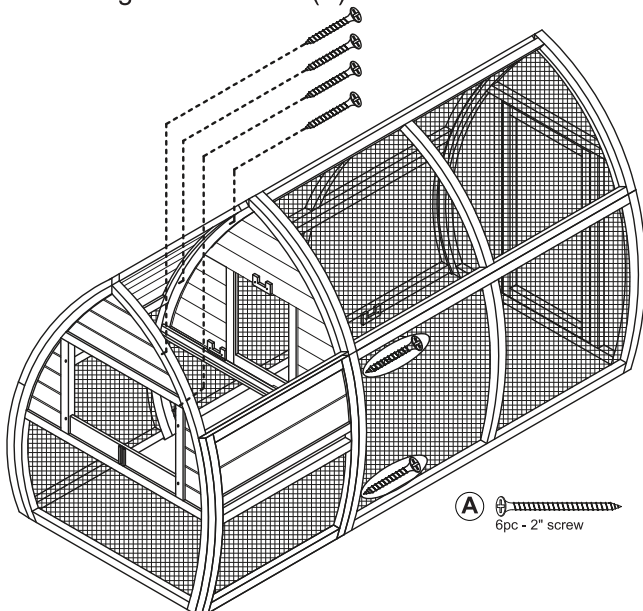
Step 2

Assemble the wood portion by attaching the Pen Nest Box Panel to the Lower Mesh Side Panel, the Rooftop Right, the Lower Wood and Mesh Side Panel, and the Inside Wall using 10 - 2" Screws (A).



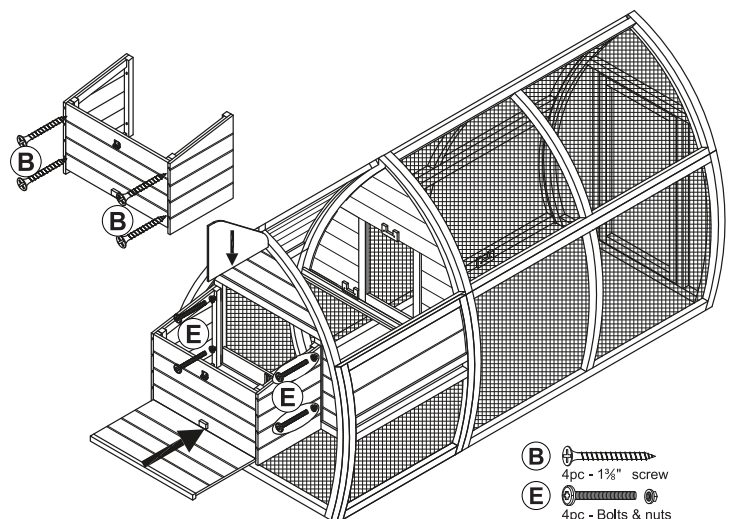
Step 3

Connect the run portion to the wood portion using 6 - 2" Screws (A).



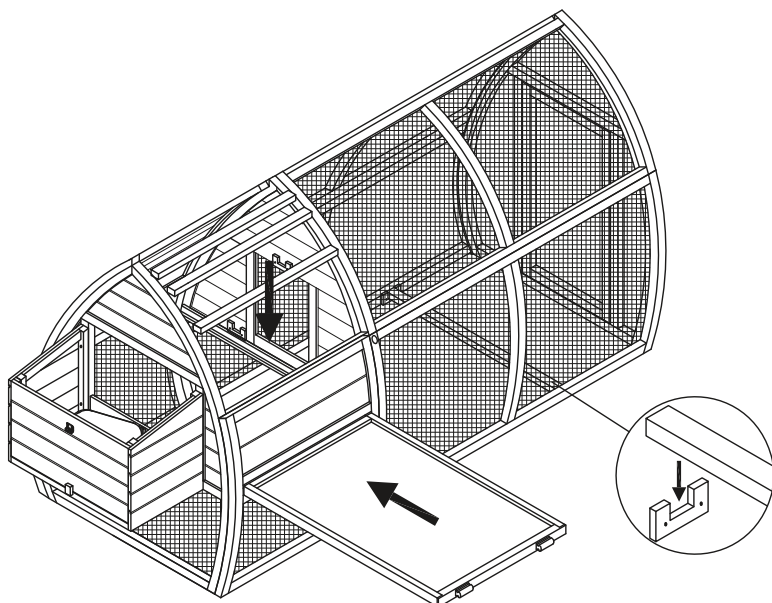
Step 4

Assemble Nest Box Front and Side Panels with 4 - 1 3/8" Screws (B). Attach to hutch assembly using 4 Bolts & Nuts (E). Slide Nest Box Floor in place. Slide Nest Box Divider down into position.

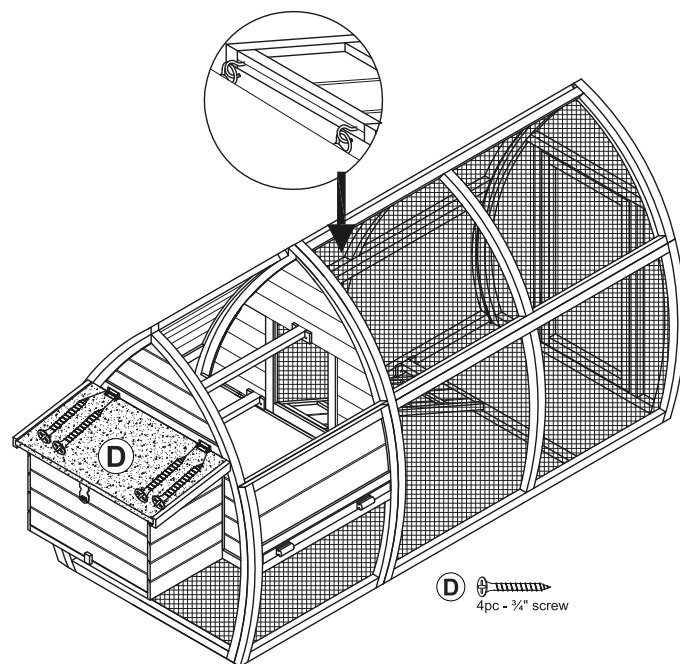


Step 5

Place Floor Support Beam into the notches on the base of the run. Slide pull pan into wooden section of hutch. Lower 3 Roosts into hutch area and place in slots on the hutch walls.

**Step 6**

Secure Roof onto Nest box with 4 - 3/4" Screws (D). Place Ladder inside run and attach with hooks and eyes.

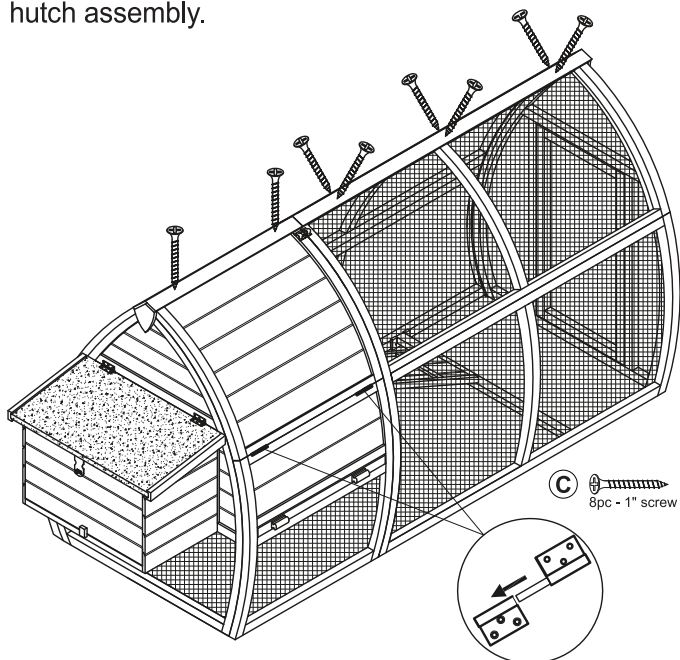


D 4pc - 3/4" screw

Step 7

Attach the Short Ridge Cap on top of the wooden hutch section with 2 - 1" Screws (C).

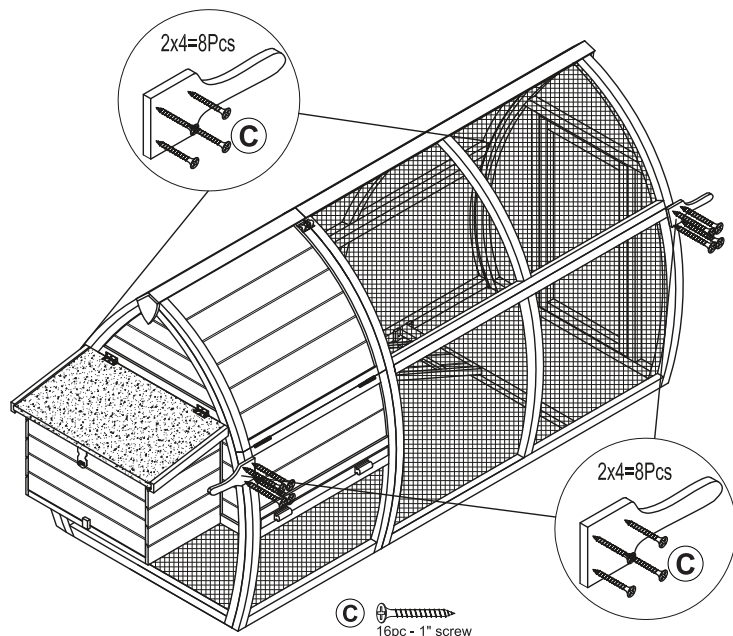
Attach the Long Ridge Cap on top of the run section with 6 - 1" Screws (C). Slide hinged Rooftop Left Panel onto hutch assembly.



C 8pc - 1" screw

Step 8

Attach the 4 Handles using 4 - 1" Screws (C) on each handle.



2x4=8Pcs

C

2x4=8Pcs

C

C 16pc - 1" screw

Care Tip

To protect the wood on your hutch you need to re-apply the protective stain finish at least 1x each year. Use a safe and non-toxic water based stain (available at your local paint or hardware center). Keep hutch in a safe area away from high winds and extreme temperatures.

If you have any questions or concerns about this product contact our customer service department at 1-800-295-2243 Mon-Fri 8:00 – 4:00 MST or email us at cs@waremfinc.com