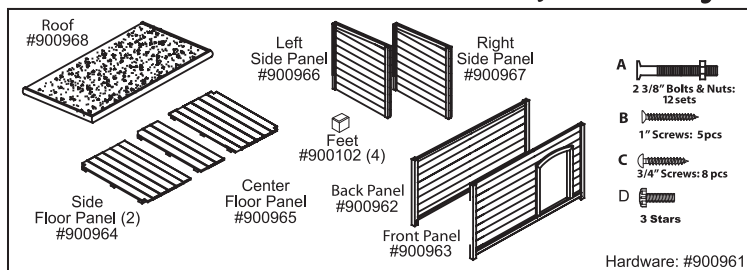
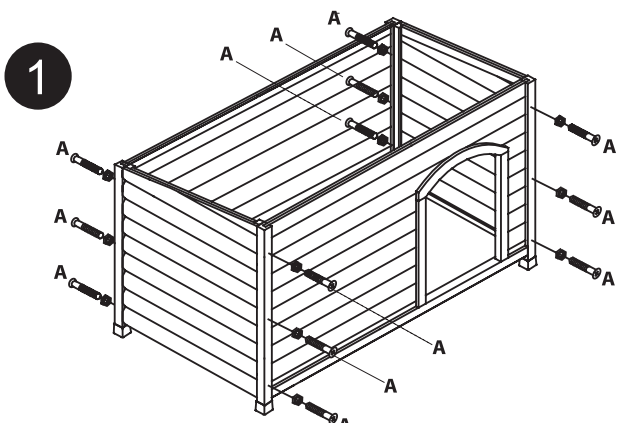


Congratulations on the purchase of your Ware Premium⁺ Doghouse.
The quality construction will provide your pet with a comfortable environment.
Plus, assembly is quick and easy!

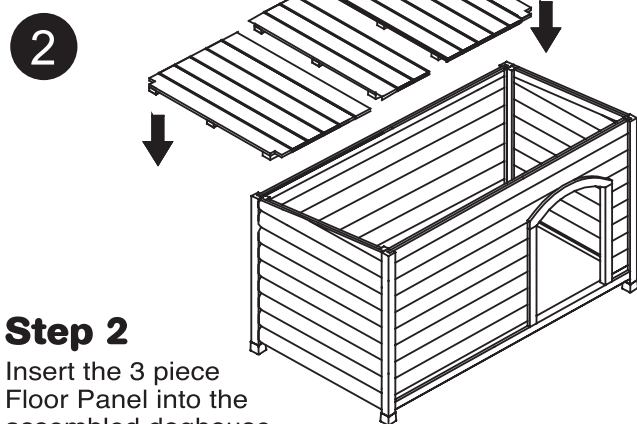


Assembly Instructions



Step 1

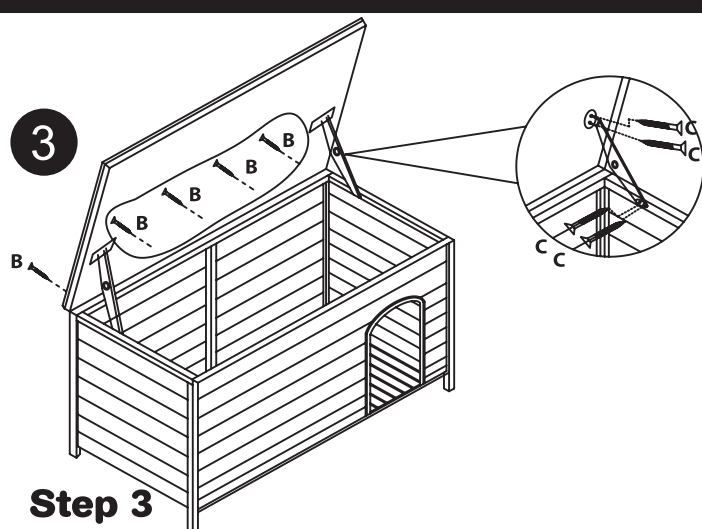
Connect the Front Panel and the Back Panel to the Left Side Panel and Right Side Panel using 12- 2 3/8" bolts and nuts.



Step 2

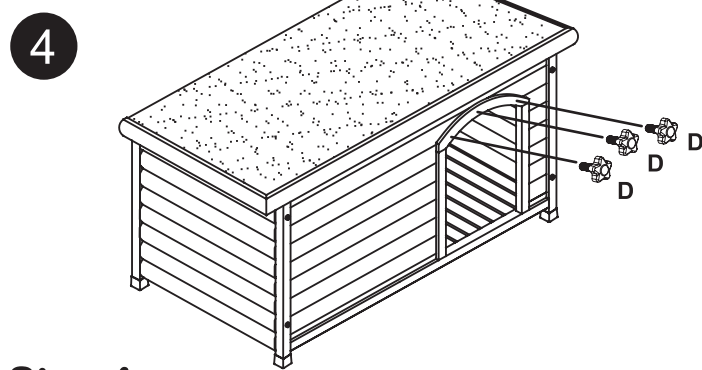
Insert the 3 piece Floor Panel into the assembled doghouse.

Hint: The corners of the two end pieces are notched to fit into the corners of the doghouse. The center piece does not have notches.



Step 3

Attach Roof to assembled doghouse using 4 - 1" screws. Next, attach locking opener on right side using 4 - 3/4" screws.



Step 4

(A) Push back gently on locking closure and fold rooftop closed.
 (B) Attach 3 star shaped bolts on dog door frame in threaded holes.

Ware Tip

Your Premium⁺ Doghouse has four adjustable feet, designed to allow you to level your doghouse

Care Tip

To protect the wood on your doghouse you need to re-apply the protective stain finish at least 1x each year. Use a safe and non-toxic water based stain (available at your local paint or hardware center). Keep hutch in a safe area away from high winds and extreme temperatures.

Item #01702



If your doghouse experienced damage during shipping,
DO NOT RETURN TO THE STORE
 Contact our Customer Service Department
 Mon-Fri 7:30-4:00 MST
Call 1-800-295-2243

Made from a sustainable wood source
MADE IN CHINA
 to the design specifications of
WARE MFG. INC.
 Phoenix, AZ 85009, USA
WWW.WAREMFGINC.COM

Superior casa para perros
Chenil de la meilleure qualité
 Patent Numbers: ZL 2005 2 0117777.2,
 ZL 2008 2 0101767.3, ZL 2006 2 0131989.0



#30001702

Ware Mfg., Inc. claims copyright protection under U.S. and International Copyright Law in the attached sculptural work and in the content of this packaging. Copyright © 2011 Ware Mfg., Inc. All rights reserved.