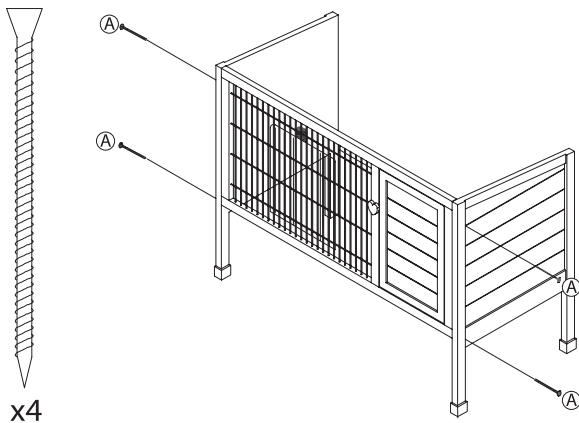
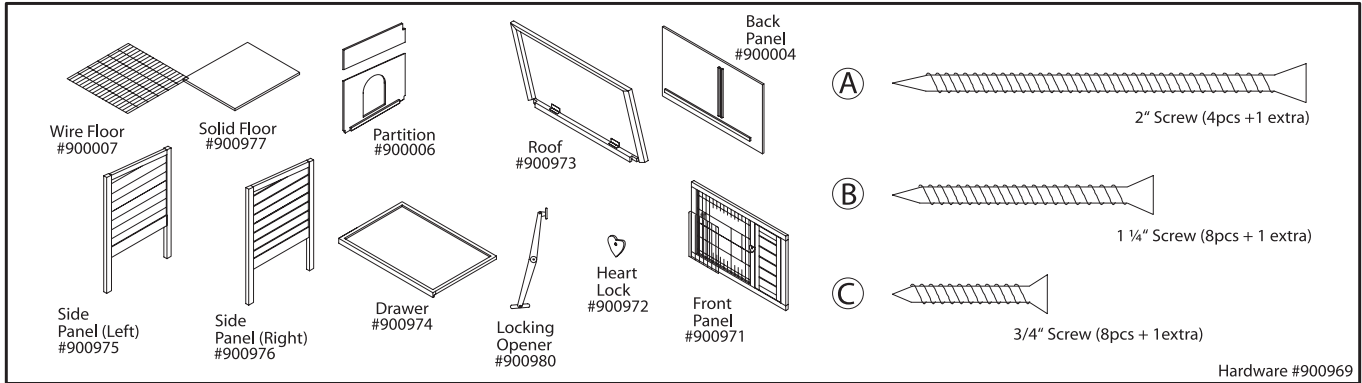
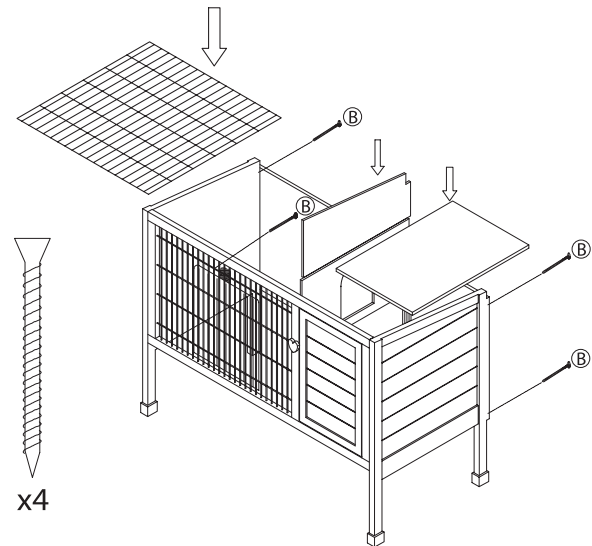


# LC Premium+ Hutch

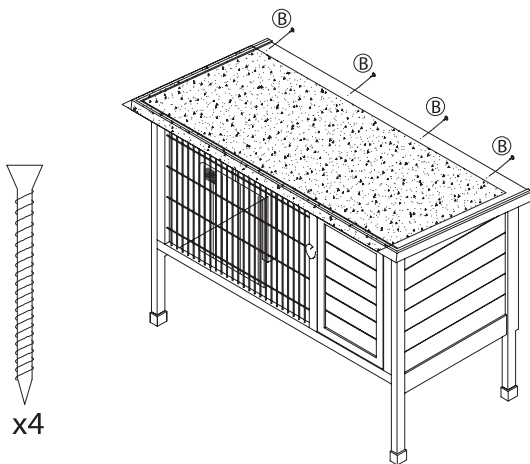
**Congratulations on the purchase of your Ware Premium+ Hutch. The quality construction will provide your pet with a comfortable environment. Plus, assembly is quick and easy!**



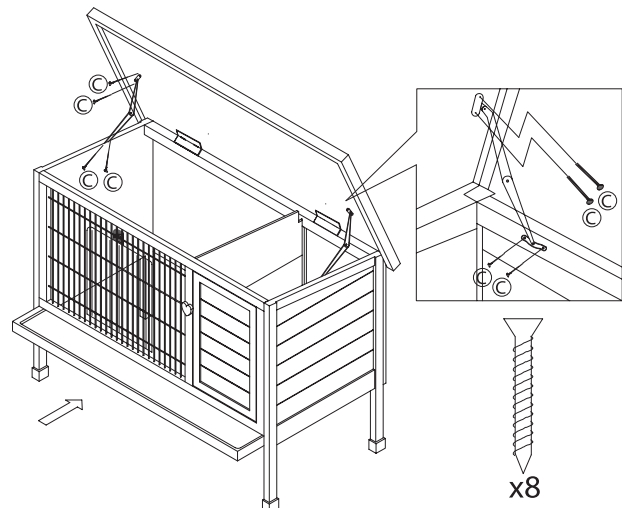
**Step 1** Attach the right side panel and left side panel to the front panel using 4 - 2" screws (A).



**Step 2** Secure the back panel to the hutch using 4 - 1 1/4" screws (B). Insert the wire floor and the wood floor. Slide in the bottom partition and top partition.



**Step 3** Attach roof to hutch with 4 - 1 1/4" screws (B).



**Step 4** Install locking door openers with 8 - 3/4" screws (C).

### Care Tip

To protect the wood on your hutch you need to re-apply the protective stain finish at least 1x each year. Use a safe and non-toxic water based stain (available at your local paint or hardware center). Keep hutch in a safe area away from high winds and extreme temperatures.



7 91611 01516 2

### MADE IN CHINA

to the design specifications of

**WARE MFG. INC.**

Phoenix, AZ 85009, USA

[WWW.WAREMFGINC.COM](http://WWW.WAREMFGINC.COM)

Ware Mfg. Inc. claims copyright protection under U.S. and International Copyright Law in the attached sculptural work and in the content of this packaging. Copyright © 2011 Ware Mfg. Inc. All rights reserved.

**El hogar perfecto para los animales domesticos pequenos**

**La maison parfaite pour les petits animaux de compagnie**

Patent Numbers: ZL 2005 2 010 4360.2, ZL 2005 2 0003821.7, ZL 2006 2 0005357.5



#30001516