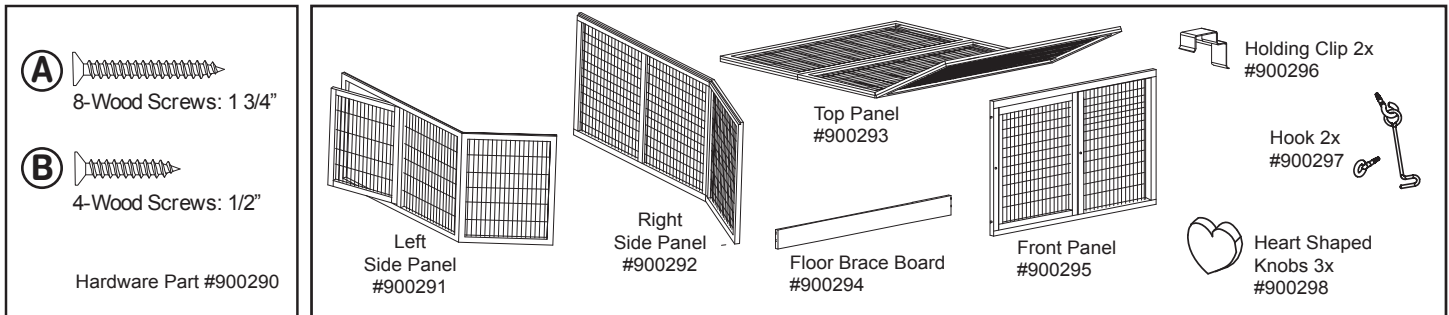


Premium+ Chick-N-Pen Assembly Instructions

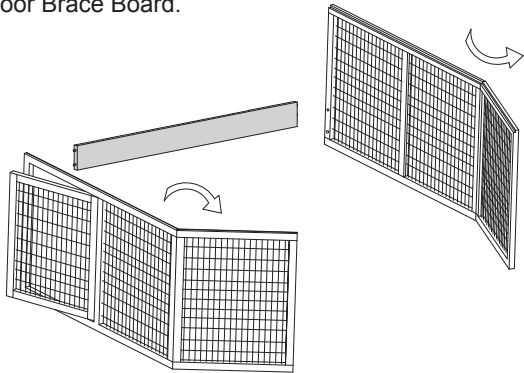
Item #01464

Tools Required: Standard Screwdriver



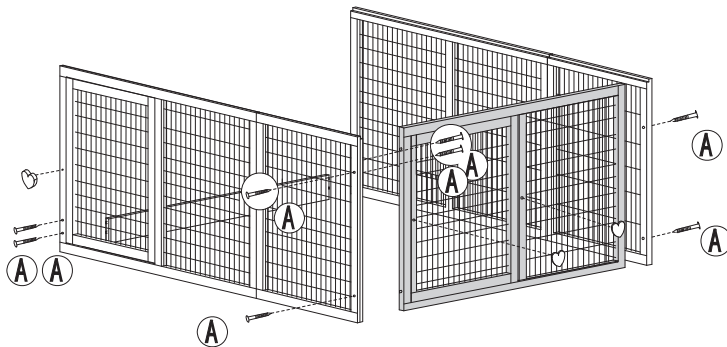
STEP 1

Spread out the Left and Right Side Panels, and attach the Floor Brace Board.



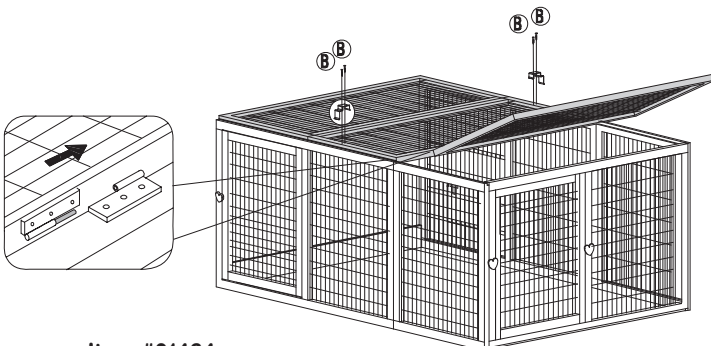
STEP 2

Attach the Front Panel by using eight 1 3/4" Wood Screws (A). Screw in the Heart Shaped Knobs.



STEP 3

Attach the Top Panel by using four 1/2" Wood Screws (B). Set and lock the Top Panel with the Holding Clips.

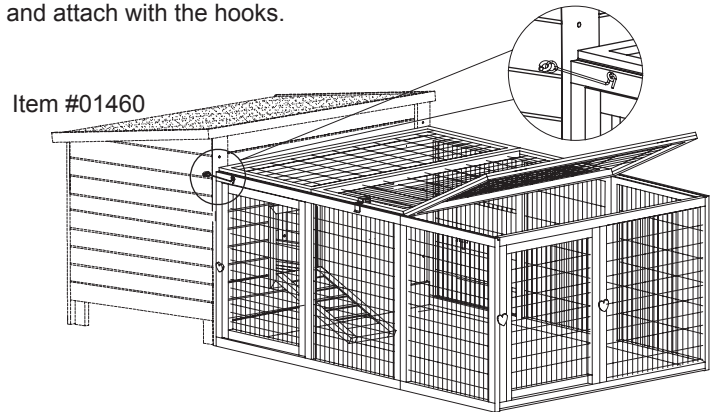


Item #01464

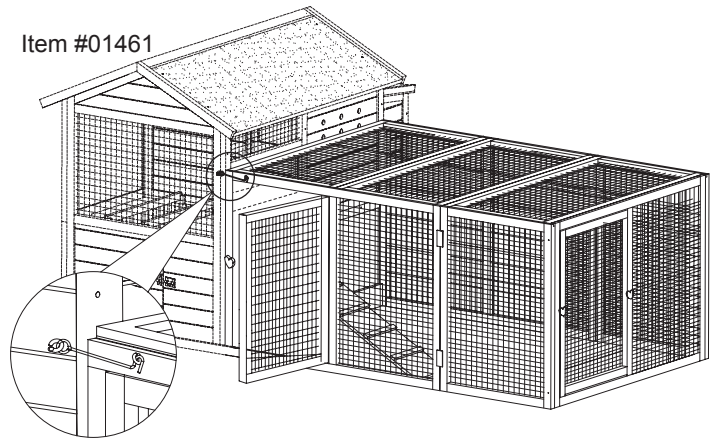


STEP 4

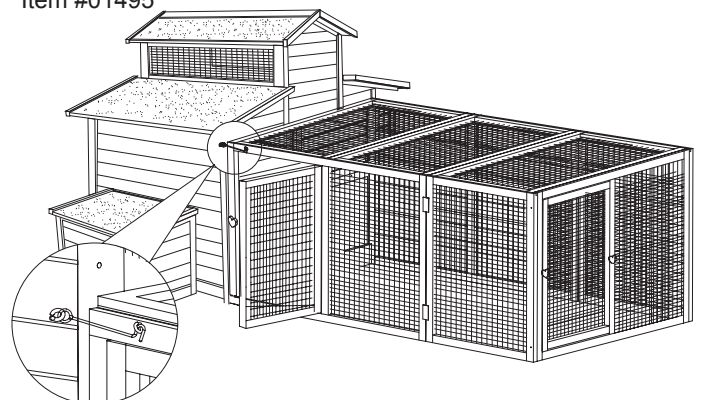
Align the assembled pen with the house (01460 or 01461) and attach with the hooks.



Item #01461



Item #01495



Made in China
to the exact design specifications of: WARE MFG. INC. Phoenix, AZ 85009, USA
www.waremfginc.com

WARE
Manufacturing Inc.