

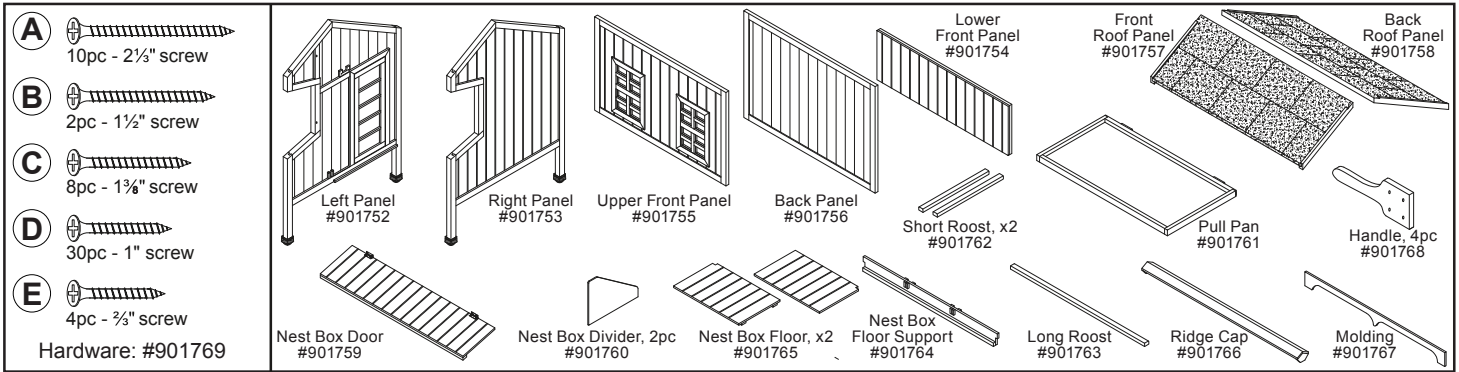


Backyard Charm Free Range Hutch

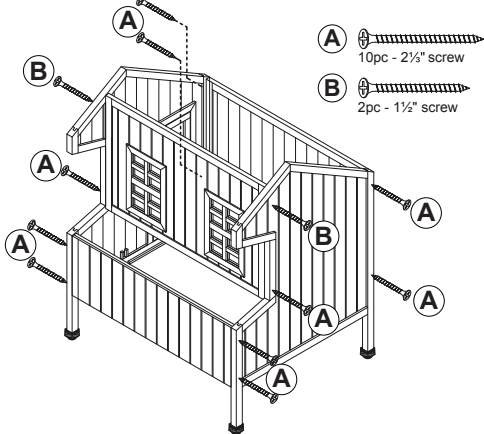
Assembly Instructions

Item #14053

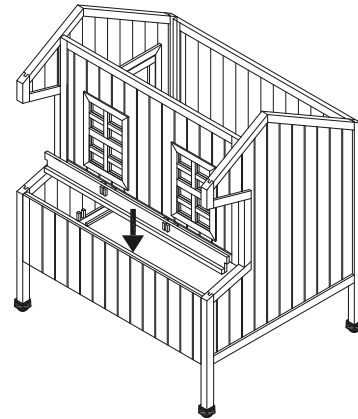
#30014053



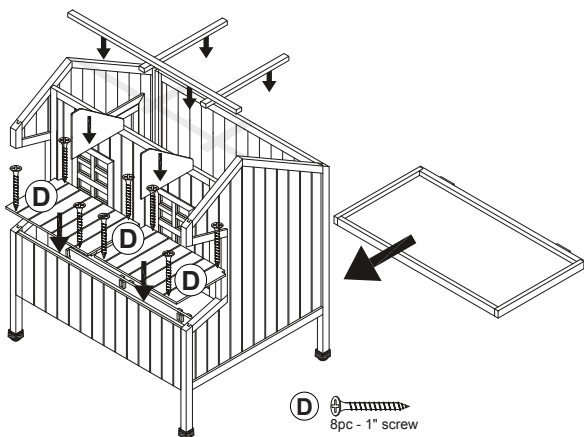
Step 1 Connect the Right and Left Panels to the Back Panel and the Upper and Lower Front Panels using 10 – 2 1/3" Screws (A). Secure top of Upper Front panel to the sides using 2 – 1 1/2" Screws (B).



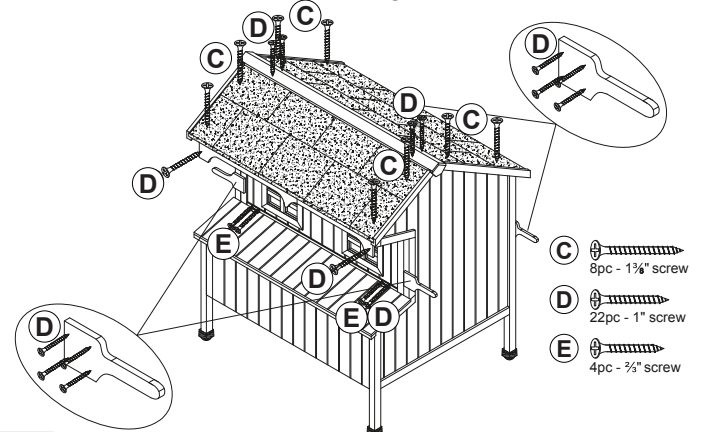
Step 2 Lower the Nest Box Floor Support into the front of the hutch and slide in place in the notches on the inside of the Side Panels.



Step 3 Place the Nest Box Floor Panels into the Hutch and attach with 8 – 1" screws (D). Slide the nest Box Dividers in place in the nesting area in the front of the hutch. Slide the Pull Pan into the hutch. Lower the 2 short and 1 large Roost into the hutch.



Step 4 Position the Rooftop in place and attach with 8 – 1 3/8" (C) screws. Attach the molding to the front using 2 – 1" screws. Place the Ridge Cap on top of the roof and attach with 4 – 1" screws (D). Attach Handles to front of hutch using 4 – 1" screws (D). Connect Nest Box Door to top of nest box area of the hutch using 4 – 2/3" (E) screws on the pre-attached hinges on the door.



Care Tip

To protect the wood on your hutch you need to re-apply the protective stain finish at least 1x each year. Use a safe and non-toxic water based stain (available at your local paint or hardware center). Keep hutch in a safe area away from high winds and extreme temperatures.

If you have any questions or concerns about this product contact our customer service department at 1-800-295-2243 Mon-Fri 8:00 – 4:00 MST or email us at cs@waremfinc.com