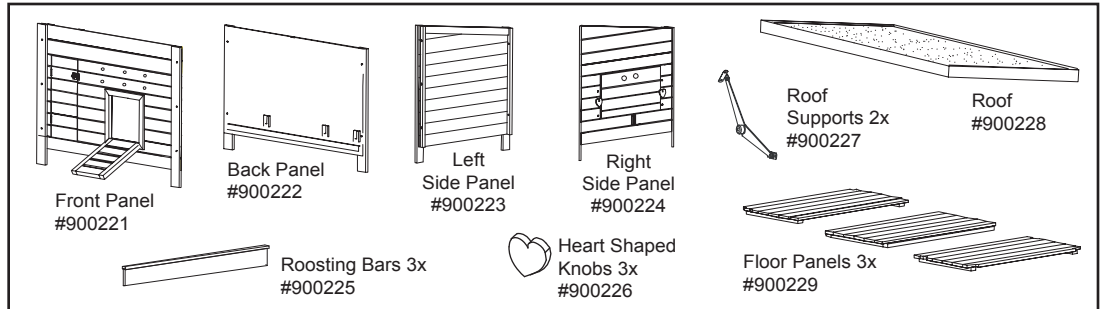


Premium+ Chick-N-House Assembly Instructions

Item #01460

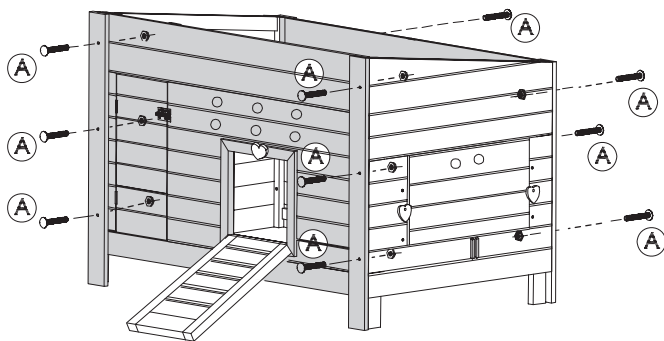
Tools Required: Standard Screwdriver

- A** 10-Bolts & Hex Nuts: 3 1/4"
 - B** 2-Screws: 1 1/4"
 - C** 3-Screws: 1"
 - D** 8-Screws: 5/8"
- Hardware Part #900220



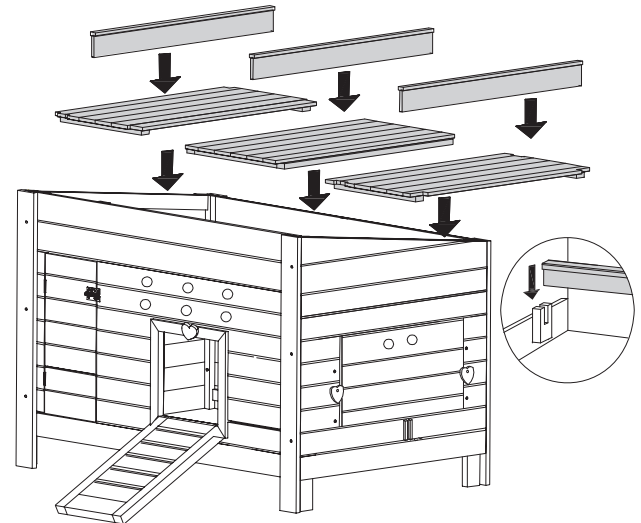
STEP 1

Attach front and back panels to side panels using ten 3 1/4" Bolts and Nuts (A).



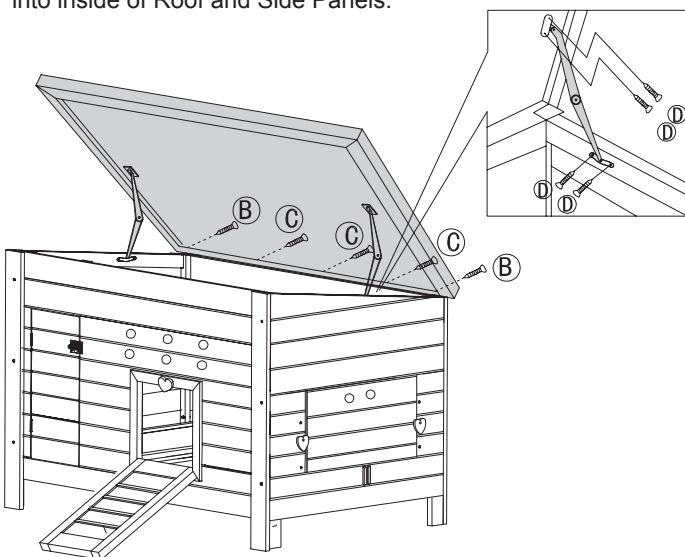
STEP 2

Place the 3 floor panels inside the assembled walls. Insert the Roosting Bars into notches located inside.



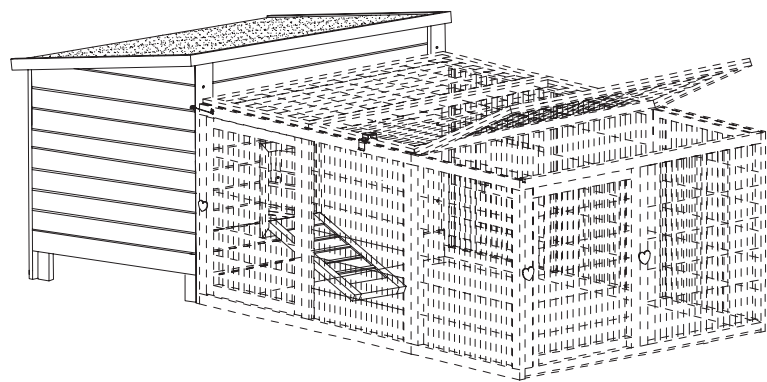
STEP 3

Attach Roof to the top of the outside of the Back Panel. Use two 1 1/4" screws (B) from the outside and three 1" screws (C), in the 3 middle holes. Attach 2 Roof Supports using four 5/8" screws (D) for each side, into inside of Roof and Side Panels.



OPTIONAL PEN ATTACHMENT

Align assembled hutch with available Chicken Pen, Item #01464.



Item #01460



Made in China
to the exact design specifications of: WARE MFG. INC. Phoenix, AZ 85009, USA
www.waremfginco.com

WARE
Manufacturing Inc.